

SELF - UNLOADING GRAIN CART

MODEL CRV 35 | 43.750 LITRES VOLUME

OMBU

Máquinas agrícolas & Remolques



GESTION
DE LA CALIDAD

1998-2000 - 2001-2002 - 2003



MANAGEMENT SYSTEM



TECHINCAL FEATURES

Loading volume 43.750 Litres

Wheat load 35 Tones

Tractor

Potency requirement | PTO 150 HP (minimum) | 540 R.P.M.

Tube | Bottom plates

Tube diameter 480mm

Folding bottom plates Folding/unfolding operation by means of a handle

Unloading speeds

Unloading speed (Litres) 9.166 Litres/minutes

Unloading speed (Wheat) 7.33 Tones/minutes

Full to Empty unloading speed 4.5 minutes

Transmission

Unloading tube auger Oil bath gearbox

Bottom auger ASA 80 - 2H 1" chain

Axle|Tires

Front axle Equipped with steel turntable and reinforced drawbar.

Rear axle Can be shifted front/rear for load transferrng.

Tires size 30.5L 32" (4 units) | BKT or with similar loading capacity.

Quick - unload front gate Standard with spout for bagging

Rear bumper Standard

Plastic toolbox Standard

20Lts water tank Standard with soup dispenser

Roll over tarp Mechanical manual operation

Electronic scale Optional

Lights Standard LED at the back | Spotlight on tube

Height (A) | 4043mm

Maximum width (B) | 3840mm

Tire/unloading tube distance (C) | 1929mm

Unloading height (D) | 4524mm

Gauge (E) | 3050mm

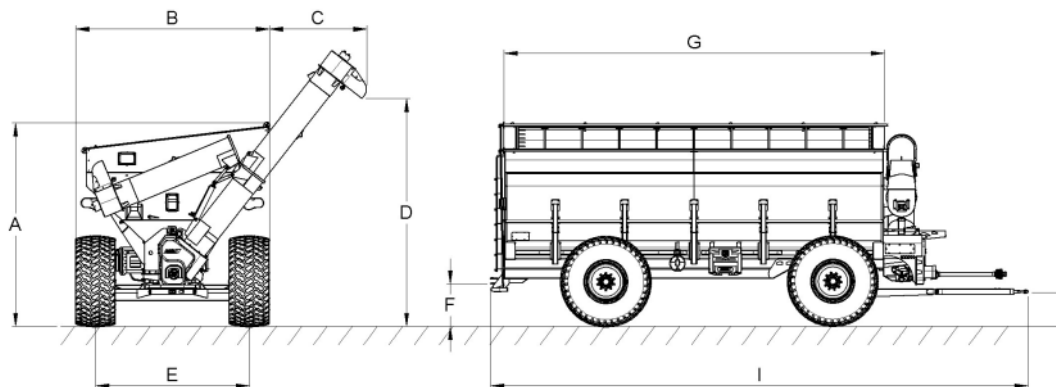
Rear hitch height (F) | 843mm

Hopper length (G) | 7500mm

Front hitch height (H) | 672mm

Total length (I) | 10655mm

Weight (tires included) | 8520Kg



CRV-35